

MTPReel™

Multi Teach Pendant Reel



Comau MTPReel™

Multi Teach Pendant Reel

MTPReel™ is a functional spring-driven cable retraction system for teach pendants. It guarantees tidiness and safety in the workplace. Reducing cable exposure to the environment also guarantees cable neatness, life extension, protection and potential repair cost savings.

MTPReel™ operation

MTPReel™ rolls up the teach pendant cable inside the reel through its spring retraction system.

MTPReel™ competitive advantages

Comau's MTPReel™ - Multi Teach Pendant Reel system benefits:

- **Safer work area**
Cable doesn't stay on ground or become misplaced. Reduced risk of walking on the cable or getting caught in it. No accidents due to tripping hazards or contact with the electrical parts of exposed wires in case of cable damages.

- **Simplified maintenance**
Inside MTPReel™ the cable doesn't get dirty or wear out. Rewind simplicity reduces operator intervention for cable storage and robot stops/recoveries. Reducing cable exposure to the environment guarantees cable neatness, life extension, protection and potential repair cost savings.
- **WCM and KAIZEN rules compliance**
Workplace order, organization and security can increase plant ranking by complying WCM and KAIZEN rules.
- **Multiple installations**
It can be installed in complete robotics lines.
- **Tested and reliable solution**
MTPR has been also tested to minimize noise frequency on cables and to reduce signal loss.

MTPReel™ specifications

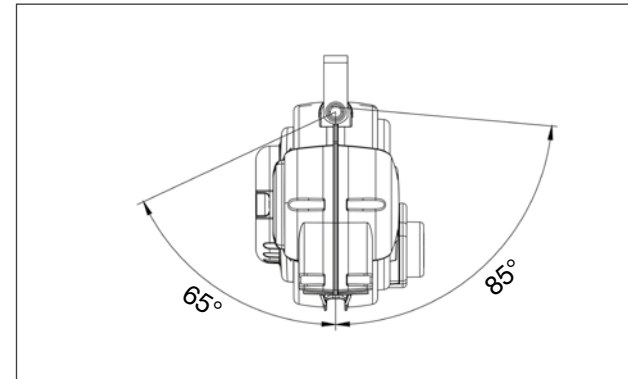
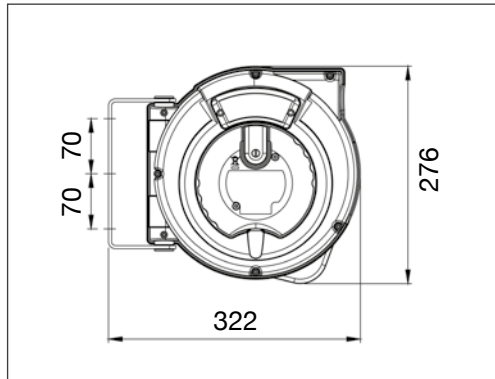
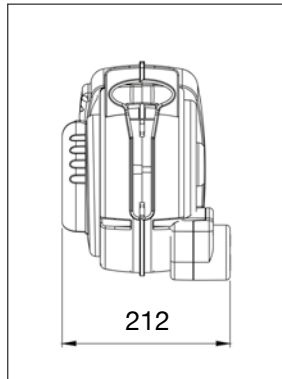
- Compact housing made of shockproof plastic.
- Automatic cable locking element inserted every 50 cm.
- Cable with high-strength polyurethane coating is extremely adaptable, hardly inflammable and resistant against twists, oils and coolants.
- Cable guide roller facilitates cable rewind.
- Steel fixing bracket with pivot which allows adjustments in both retreat and extraction directions.
- High resistant spring recovery.
- Length: 10 mt and 20 mt. 2.5 mt fixed.
- Ground contact.
- Integrated brake to limit retraction speed.
- Complies with standard UNI EN ISO 13849-1 e 2, CEI EN 60204-1, UNI EN ISO 10218-1, EN 61242-A1
- Filter to clean the cable.
- Internal shielding against electromagnetic fields.



Dimensions

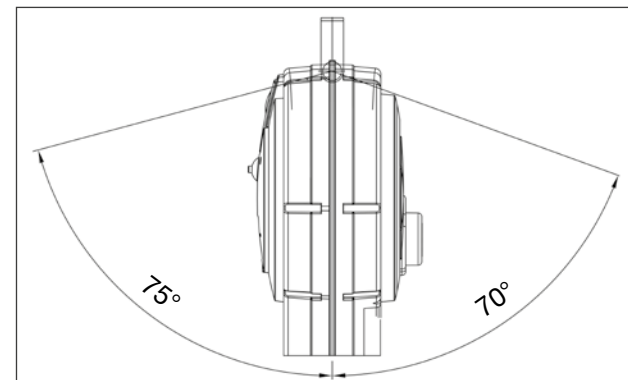
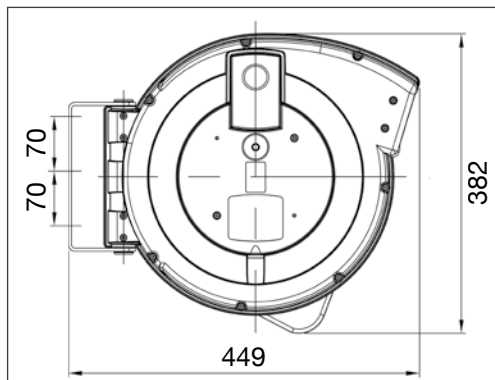
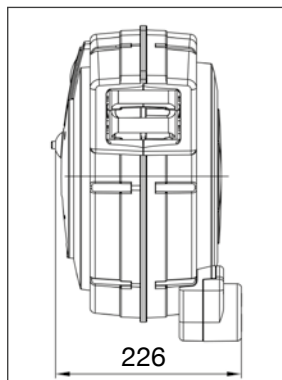
Version 10 m

Small: (H x L x P) 322 x 276 x 212



Version 20 m

Large: (H x L x P) 449 x 382 x 226



Code	Description
CR10149480	Cable Reel MTPReel™ for COMAU TP4i/WiTP Wired (C4G) ITP (C5G) 10m
CR10149481	Cable Reel MTPReel™ for COMAU TP4i/WiTP Wired (C4G) ITP (C5G) 20m
CR10149482	Cable Reel MTPReel™ for COMAU TP5 (C5G) 10m
CR10149483	Cable Reel MTPReel™ for COMAU TP5 (C5G) 20m

Integrated brake to limit retraction speed.



I dati di questo stampato sono forniti a titolo indicativo. Comau S.p.A. potrà apportare in qualunque momento modifiche che ai modelli descritti in questo stampato per ragioni di natura tecnica o commerciale. Le immagini non necessariamente mostrano il prodotto in versione standard. **Edizione - 01/17 - Torino**